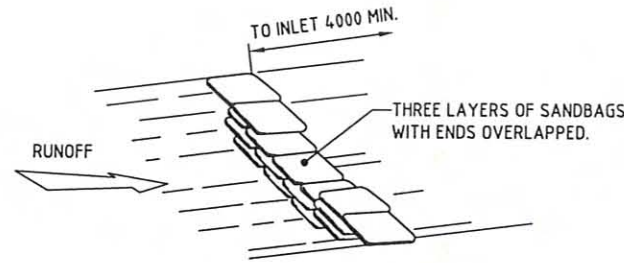
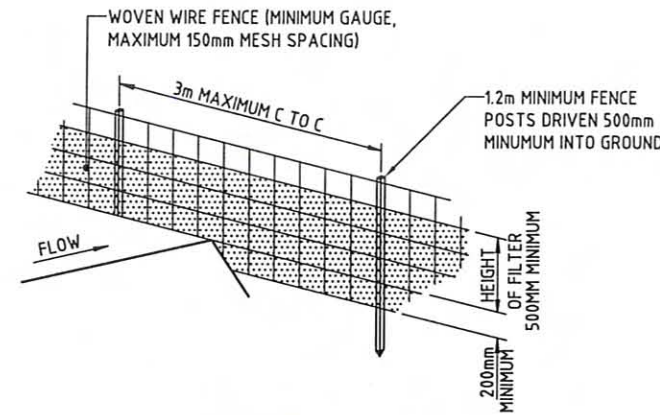


SEDIMENT MANAGEMENT NOTES:

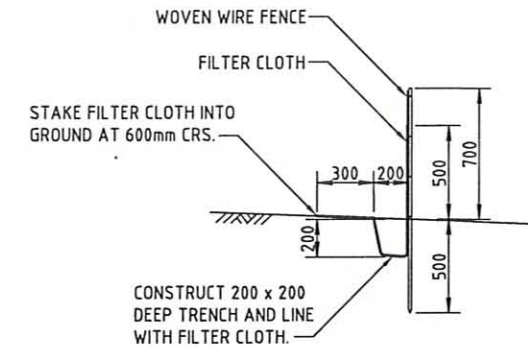
1. EROSION AND SEDIMENT CONTROL MEASURES SHALL BE IN ACCORDANCE WITH 1 Eng Aust EROSION AND SEDIMENT CONTROL GUIDELINES.
2. ADDITIONAL CONTROL DEVICES OR CUT OFF DRAINS SHALL BE PLACED WHERE DIRECTED BY THE SUPERINTENDENT PRIOR TO AND DURING CONSTRUCTION. ALTERNATIVE DESIGNS TO BE APPROVED BY THE SUPERINTENDENT PRIOR TO CONSTRUCTION.
3. ALL SEDIMENT PONDS SHALL BE OF SUFFICIENT SIZE TO CONTAIN A 1 IN 5 YEAR STORM EVENT.
4. MAINTENANCE SHALL BE PERFORMED AS REQUIRED AND MATERIAL REMOVED WHEN 'BULGES' DEVELOP IN THE SILT FENCE.
5. PROVIDE TYPE 1 CONTROL DEVICE 3.00M (MAXIMUM) DOWNSTREAM OF ALL STORMWATER DRAINAGE OUTLETS.
6. PROVIDE TYPE 3 CONTROL DEVICES TO ALL GULLY PITS.
7. CARE SHOULD BE TAKEN TO PREVENT SEDIMENT FROM ENTERING THE STORMWATER SYSTEM. THIS MAY INVOLVE PLACING APPROPRIATE SEDIMENT CONTROLS AROUND STOCKPILES AND/OR SILT TRAPS AROUND GULLIES.
8. ALL LONG TERM EARTHEN STOCKPILES SHALL BE REVEGETATED AS SOON AS PRACTICABLE.
9. MAXIMUM HEIGHT OF STOCKPILES TO BE 4m.
10. WATER TRUCKS SHALL BE USED DURING VEGETATION CLEARING AND EARTHWORKS CONSTRUCTION TO PROVIDE DUST SUPPRESSION AS REQUIRED.



TYPE 1 CONTROL DEVICE
N.T.S



TYPE 2 CONTROL DEVICE
N.T.S

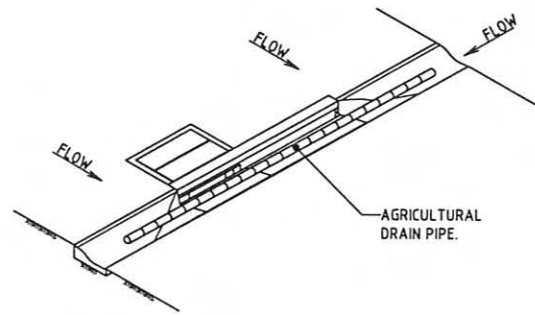


SILT FENCE DETAIL
N.T.S

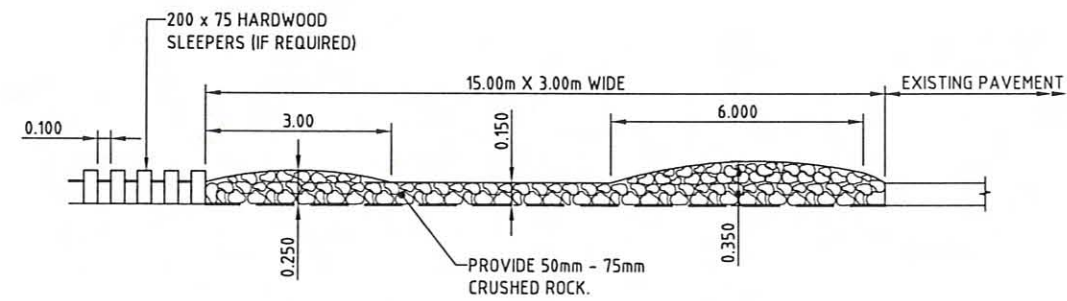
TYPE 2 CONTROL DEVICE NOTES:

1. WOVEN WIRE TO BE FASTENED SECURELY TO FENCE POSTS WITH WIRE TIES OR STAPLES.
2. FILTER CLOTH TO BE FASTENED SECURELY TO WOVEN WIRE FENCE WITH TIES SPACED EVERY 600MM AT TOP OF MID SECTION.
3. WHEN TWO SECTIONS OF FILTER CLOTH ADJOIN EACH OTHER THEY SHALL BE OVERLAPPED BY 150MM AND FOLDED.

POSTS: STAR PICKETS OR 50MM X 50MM HARDWOOD
FENCE: WOVEN WIRE 14 GAUGE.
 150MM MAXIMUM MESH OPENING.
FILTER CLOTH: FILTER AS SPECIFIED
 (TERRAM 1000, POLYFELT TS 500
 BIDIM U24 OR EQUIVALENT).
PREFABRICATED UNIT: GEOFAB, ENVIROFENCE,
 OR APPROVED EQUIVALENT.



CSC STANDARD GULLY PIT TYPE 3 CONTROL DEVICE
N.T.S



TRUCK SHAKE DOWN FACILITY SECTION
N.T.S

NOTE:

ALL VEHICLES EXITING FROM THE SITE ARE TO BE CLEANED AND TREATED TO PREVENT MATERIAL BEING TRACKED OR DEPOSITED ONTO PUBLIC ROADS. IF MATERIAL IS ACCIDENTALLY DEPOSITED ONTO PUBLIC ROADS IT SHALL BE REMOVED WITHOUT DELAY. IF THE SHAKEDOWN DEVICE PROVES TO BE INEFFECTIVE THE CONTRACTOR IS TO USE OTHER MEANS TO PREVENT MATERIAL BEING DEPOSITED ONTO PUBLIC ROADS.

DATE PLOTTED: 04 August, 2008 - 9:38am

© Cardno (Qld) Pty Ltd All Rights Reserved 2005.
 Copyright in the whole and every part of this drawing belongs to Cardno (Qld) Pty Ltd and may not be used, sold, transferred, copied or reproduced in whole or in part in any manner or form on any media, to any person other than by agreement with Cardno (Qld) Pty Ltd.
 This document is produced by Cardno (Qld) Pty Ltd solely for the benefit of and use by the client in accordance with the terms of the retainer. Cardno (Qld) Pty Ltd does not and shall not assume any responsibility or liability whatsoever to any third party arising out of any use or reliance by third party on the content of this document.

DESIGNED: <i>HC</i>	A1	DATUM: A.H.D.
DRAWN: <i>SP</i>		
CHECKED: <i>HC</i>		
RECOMMENDED: PROJ. MAN. <i>[Signature]</i>	APPROVED: PROJ. DIR. <i>[Signature]</i>	RPEID: 1470
CAD FILE: L:\1900-48\01\Acad\790048\01.dwg		
XREF: XR-A1-80-SHT		

Cardno
 Level 1, 5 Gardner Close, Milton 4064
 P.O. Box 368, Toowoong 4068.
 Email: cardno@cardno.com.au
 Web: www.cardno.com.au
 ACN: 051 074 992

OFFICES:	TELEPHONE	FAX
Brisbane	(07) 3369 9822	(07) 3369 9722
Sydney	(02) 9416 8233	(02) 9416 8529
Gold Coast	(07) 5539 9333	(07) 5538 4847
Sunshine Coast	(07) 5443 2555	(07) 5443 3542
Townsville	(07) 4772 1168	(07) 4721 2508
Harvey Bay	(07) 4124 5455	(07) 4124 5155
Central Coast	(02) 4323 2558	(02) 4324 3251
Melbourne	(03) 9818 7755	(03) 9818 7033
Rockhampton	(07) 4924 7500	(07) 4926 4375
Toowoomba	(07) 4637 8122	(07) 4637 8155

SHUTE HARBOUR MARINA DEVELOPMENT
 SHUTE HARBOUR MARINA
 CONSTRUCTION
 SEDIMENT AND EROSION CONTROL PLAN
 STANDARD NOTES AND DETAILS

DATE: 1-08-2008	Rv.
DRAWING No:	
7900/48/01-406	